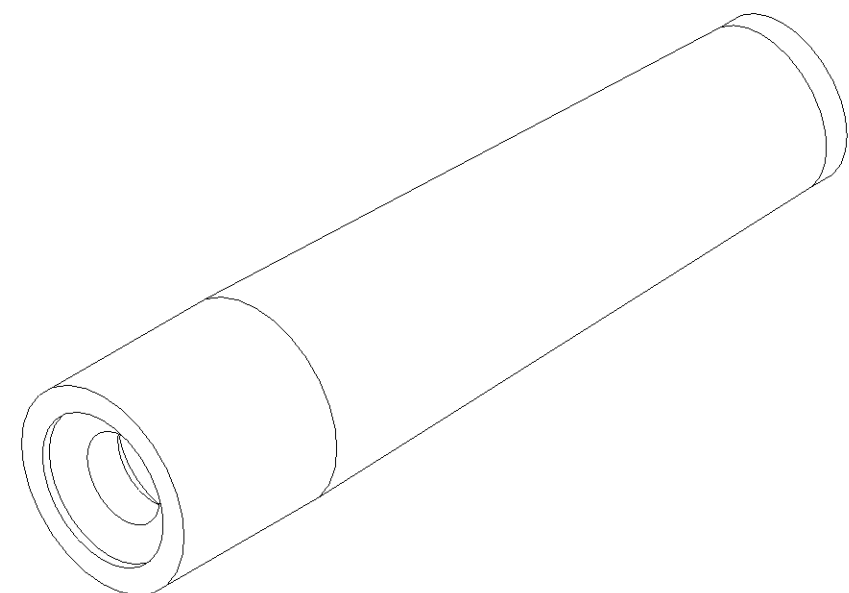
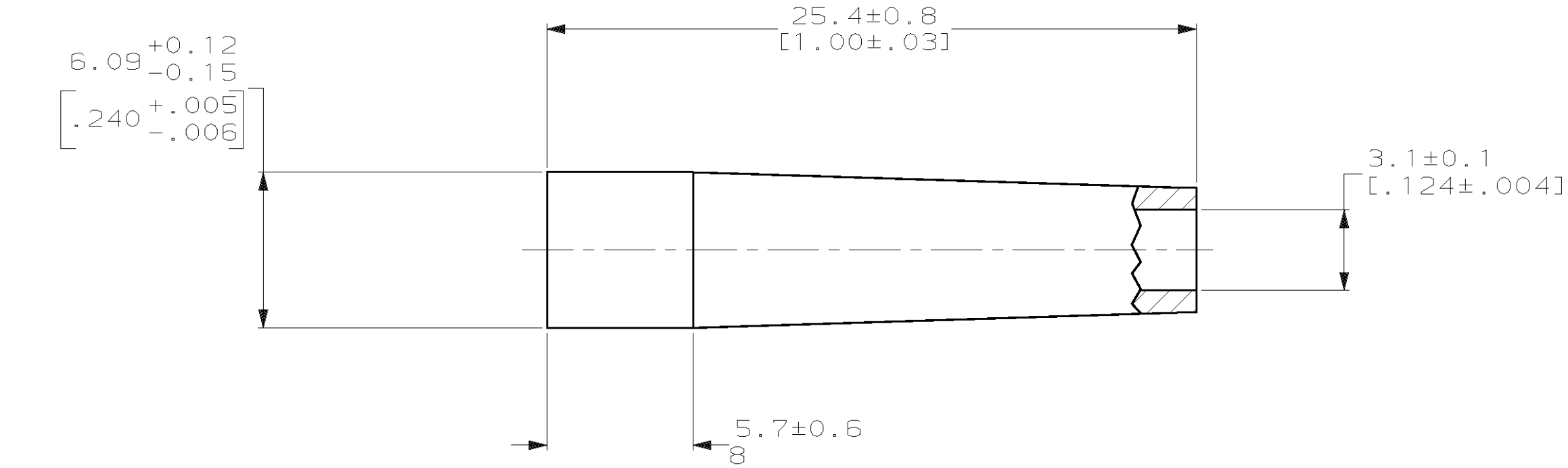


THIS DRAWING IS UNPUBLISHED. RELEASED FOR PUBLICATION, 19 .
 © COPYRIGHT 19 BY AMP INCORPORATED. ALL INTERNATIONAL RIGHTS RESERVED.

LOC	DIST	P	F	ZONE	LTR	DESCRIPTION	DATE	APPD
CE	16				G	REVISED PER 0A00-0546-00	19JUL00	TA/SB

1. DIMENSIONS IN [] ARE IN INCHES.
 2 BULK PACKAGED, 100 PCS.



COLOR	PART NUMBER
ORANGE	1-501457-7
APC GREEN	1-501457-5
WHITE	1-501457-3
BLUE	1-501457-2
BEIGE	1-501457-1
RED	1-501457-0
YELLOW	501457-9
BLACK	501457-8

METRIC

DO NOT SCALE PRINT. UNLESS SPECIFIED DIMENSIONS IN INCHES TOLERANCES ON: 2 PLC DEC ± - 3 PLC DEC ± - ANGLES ± -		DR R.HILEMAN 2-16-90	AMP INCORPORATED Harrisburg, Pa. 17105
MATERIAL THERMOPLASTIC ELASTOMER		CHK F.ANTONICELLI 2-16-90	
FINISH -		APPD F.ANTONICELLI 2-16-90	NAME BOOT, STRAIN RELIEF, 2.5mm BAYONET, OPTIMATE®
		APPD D.COLLINS 2-16-90	SIZE B
		PRODUCT SPEC -	FSCM NO 00779
		APPLICATION SPEC -	DRAWING NO 501457
		WEIGHT -	SCALE 5:1
			SHEET 1 OF 1